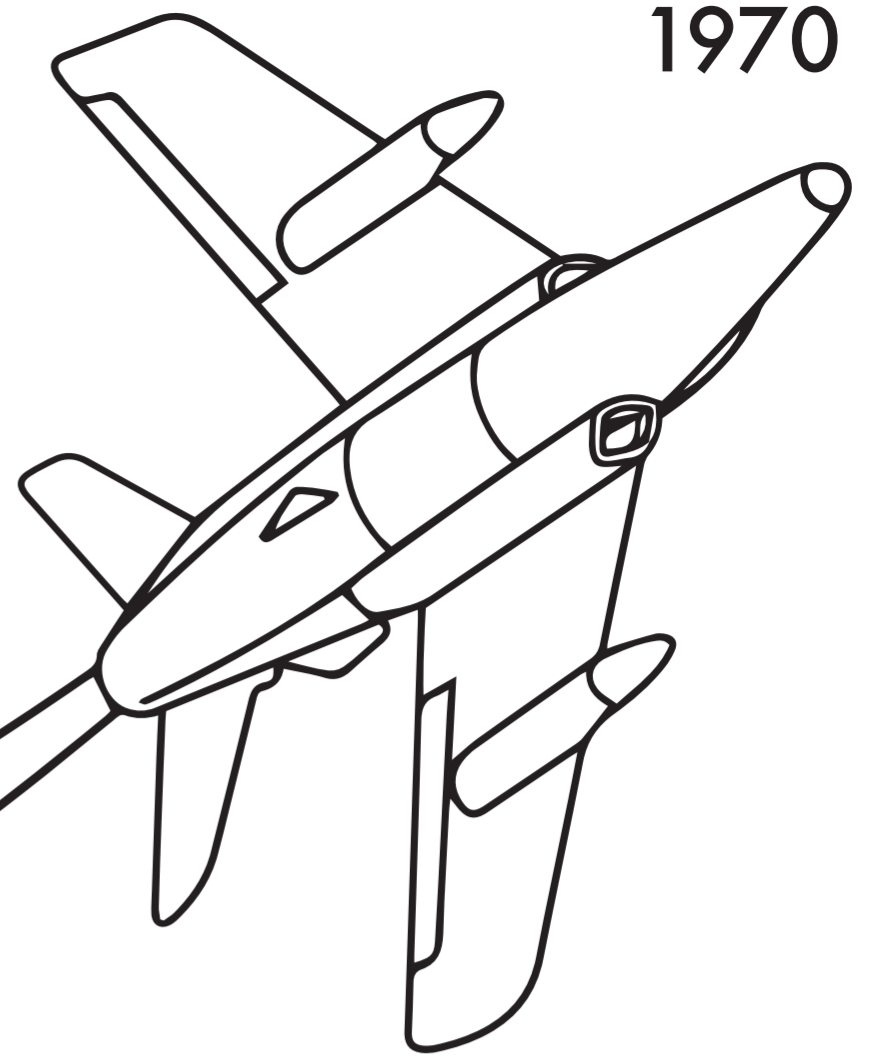


1960

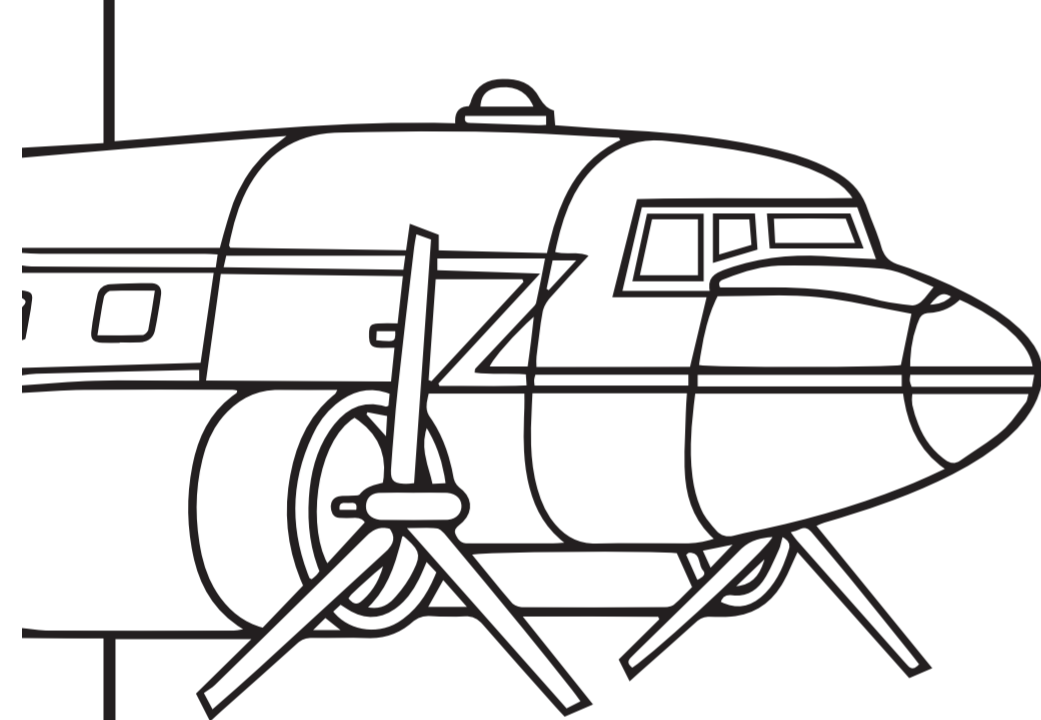
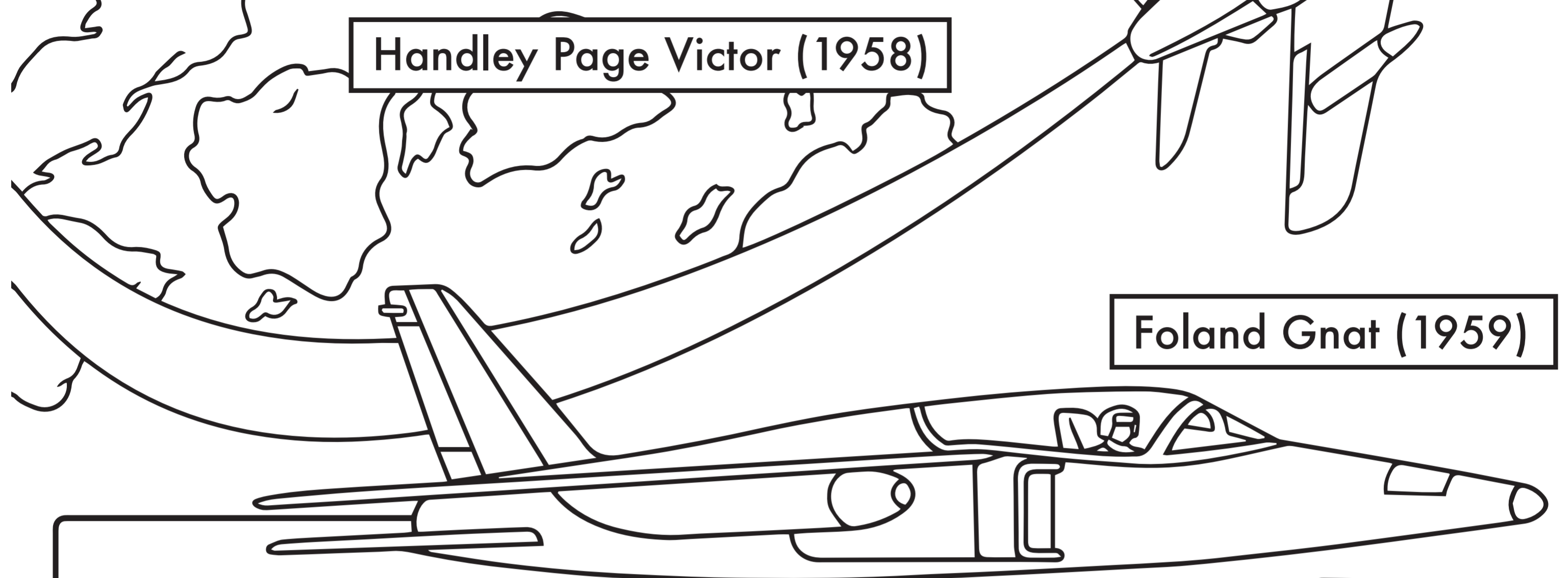
1970



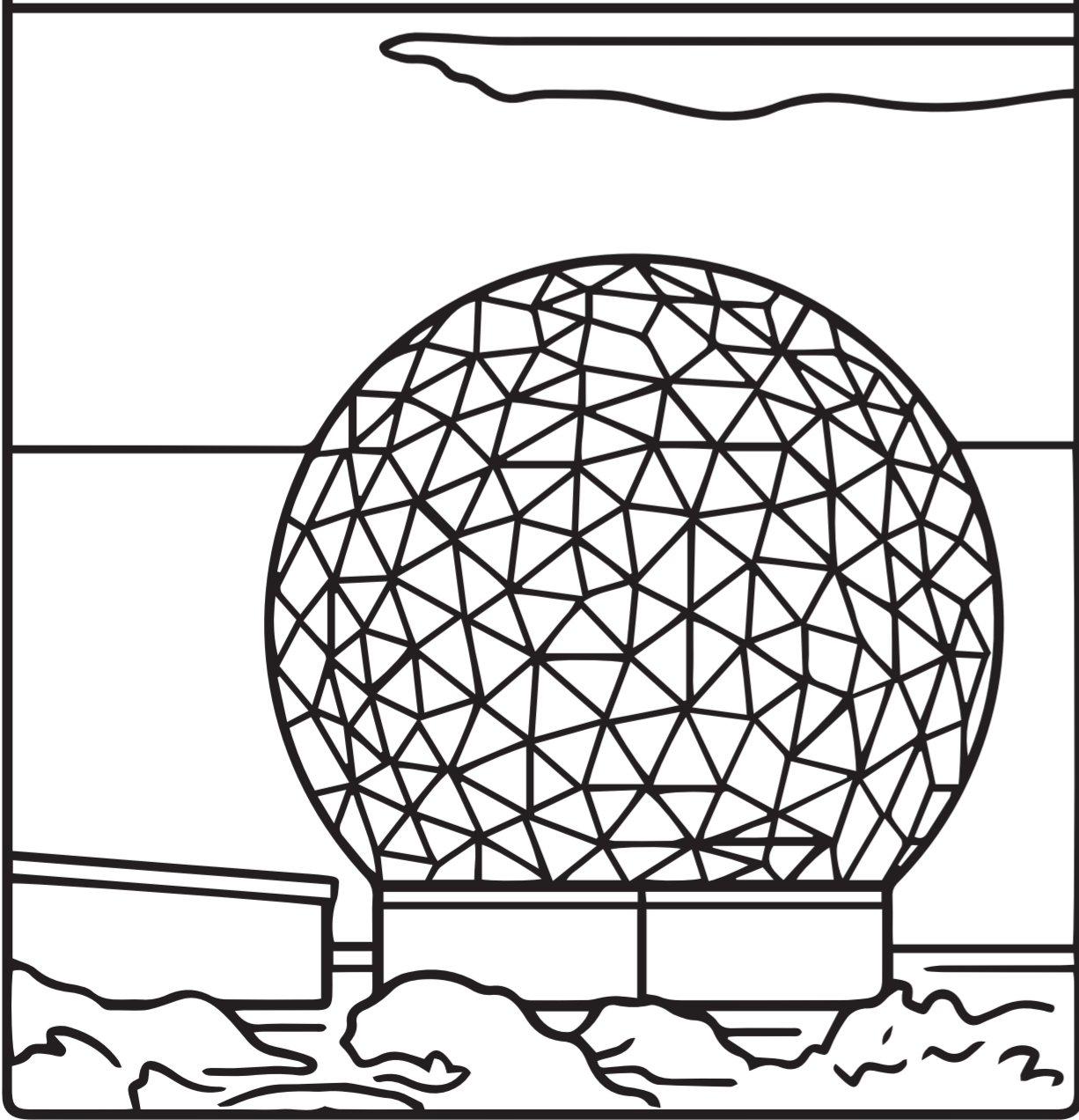
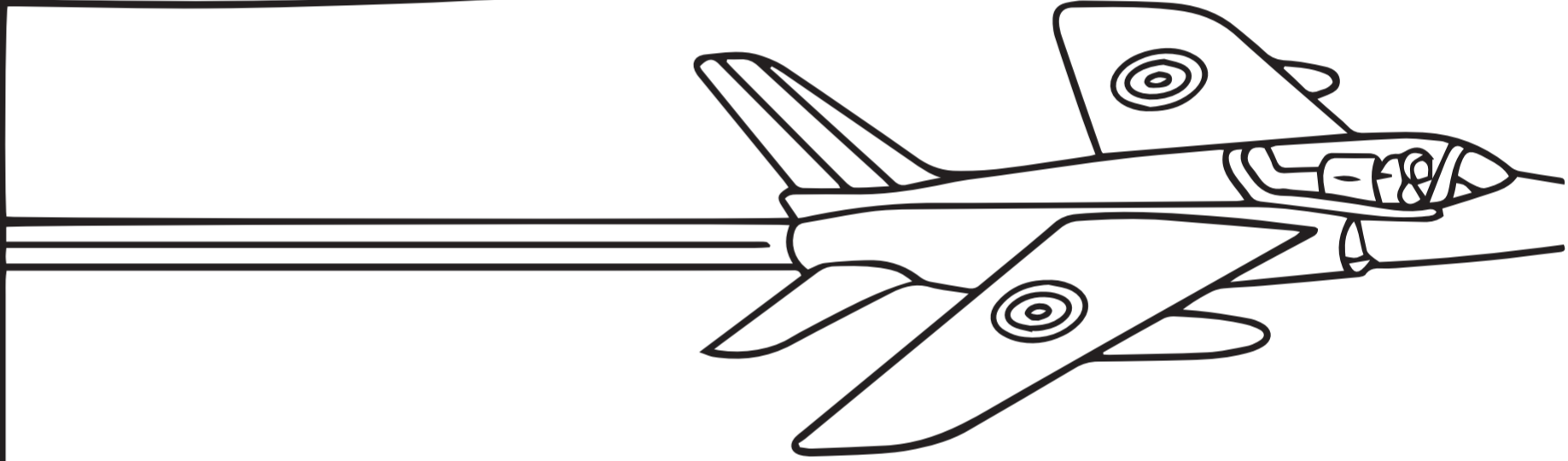
Handley Page Victor (1958)



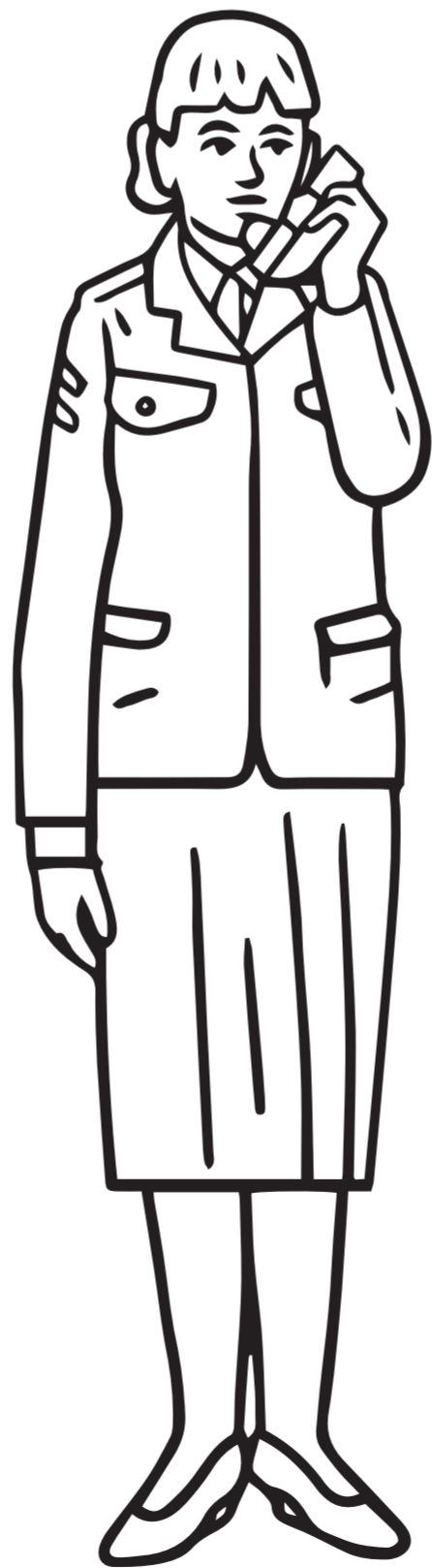
Folland Gnat (1959)



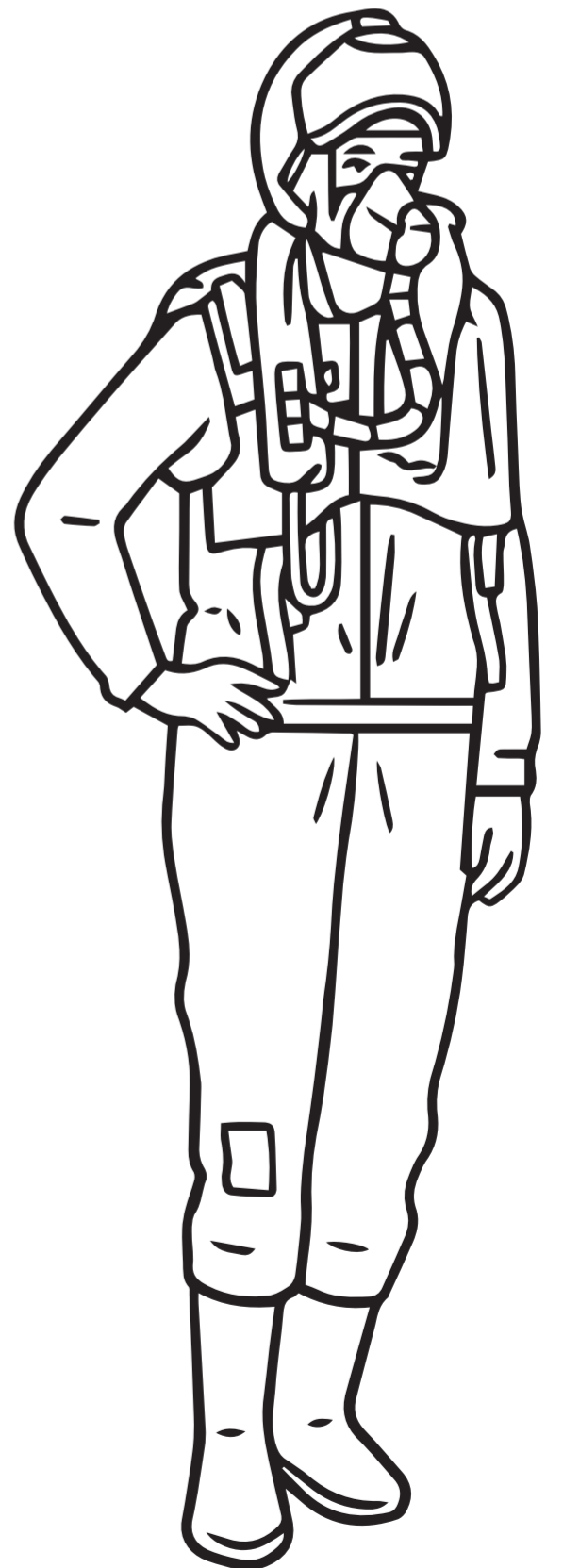
Dakota (DC3) (1942)



Satellite Ground Station



Air Traffic Control (1960s)



Pilot (1970s)